

# **City of Covington Specifications**

## **Customer Furnished Meter Sockets**

Jan 2, 2017

If a customer chooses to use meter sockets not furnished by City of Covington Electric, he shall notify the Covington Electric Utility well in advance of required service date.

### **General Requirements:**

- a) Customer purchased equipment shall be UL listed.
- b) The label, symbol or other identifying mark used by the testing laboratory shall be affixed to the unit.
- c) Customer shall be responsible for all maintenance of meter sockets not furnished by Covington Electric.
- d) See drawings, on this site, for minimum distance requirements.

### **Construction Requirements:**

- a) All customer furnished sockets shall be ringless type.
- b) Each meter's position's cover shall be removable without having to remove any other cover.
- c) All meter spade jaws on residential customer owned sockets shall be spring reinforced and rated at no less than 200 amps.
- d) All Class 320 meter sockets and all sockets used on commercial applications shall have a lever by-pass handle.
- e) If customer furnishes meter sockets and the supply source is 208Y/120 3-wire 1-phase service, the customer shall furnish and install a grounded fifth terminal mounted in the 6 o'clock or 9 o'clock position in each socket.
- f) Connectors for more than one conductor and connectors used to connect aluminum conductors must be approved for the purpose. Inhibitor of the non-grit type must be used on all aluminum conductors. Covington Electric will not accept more than one conductor under one pressure device (set screw, pad, etc.).
- g) Meter sockets installed outdoors must be weatherproof (NEMA Type 3R). A unit is considered to be outdoors unless it is installed within the confines of the main structure of the building and totally protected from the weather. Units installed in metering rooms attached to a building will be considered outside unless the metering room is connected to the main structure of the building and has the same roofing as the building and roof flashing is installed.

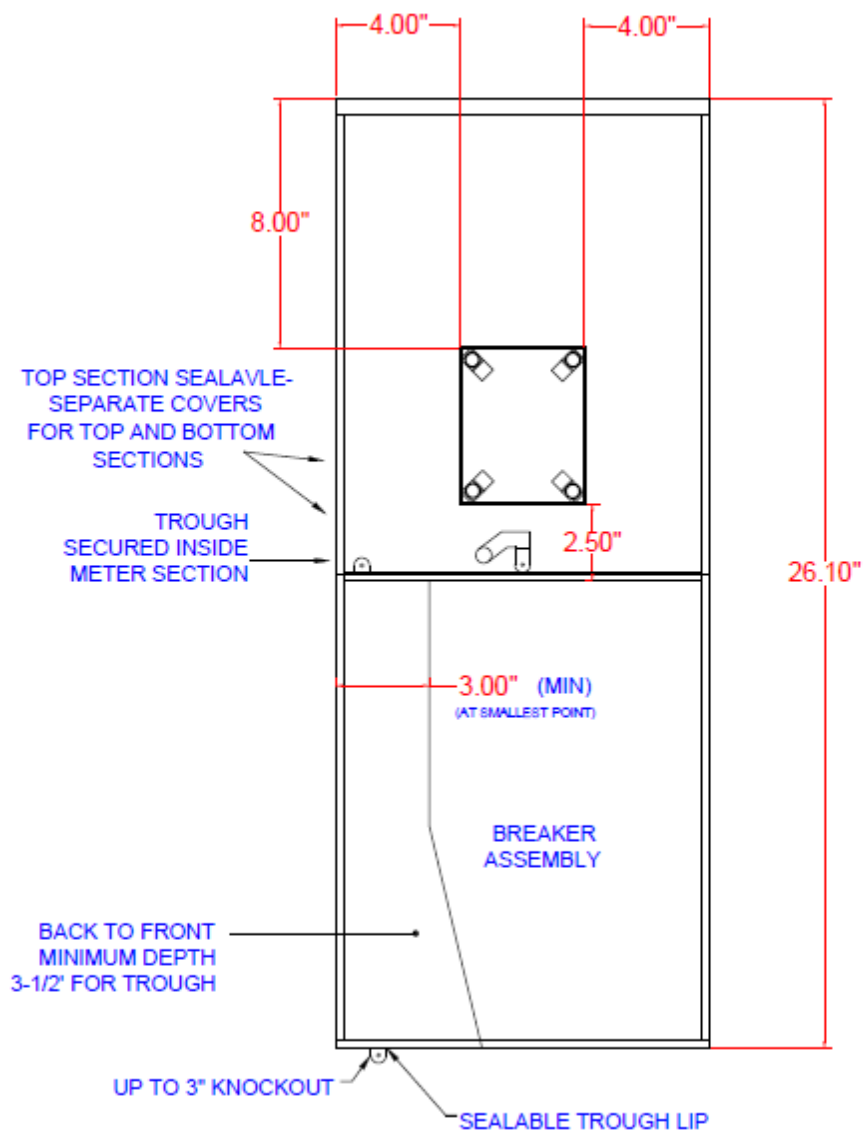
### **Point of Connection Requirements:**

- a) Customer owned meter sockets shall be constructed so the dedicated line side wiring compartment is separate from breakers, disconnects, and compartments housing service equipment.
- b) Line side connectors of meter socket assemblies to be connected to Covington Electric service laterals shall be of a type satisfactory to the Covington Electric.
- c) Any exposed buss work or connections shall have a protective barrier or adequate insulation.

### **Location & Workspace Requirements:**

- a) The location for metering equipment is outdoors. For indoor installations, special permission must be obtained from a qualified employee.
- b) Metering equipment shall not be located in meter rooms or other locations, sheds, attics, bedrooms, bathrooms, toilet rooms, kitchens, stairways, carports, patios, furnace rooms or basements where the only entrance is through a trap door or in any location where there is less than 7' of headroom.
- c) Metering equipment shall be located where it is **readily accessible** to **Covington Electric** employees. If metering equipment is to be located behind a locked door, the lock shall be keyed for a Covington Electric Meter Room key.
- d) Meter sockets shall be located so the center of the meter will not exceed 5'-6" above final grade level and shall be not less than 2'-6" above final grade level. These dimensions also apply with respect to the floor where **special permission** is obtained to locate the metering equipment indoors.
- e) Safety dictates metering equipment shall be located so **Covington electric** personnel are provided level, unobstructed working space. This working space should extend a minimum distance of 3' in front and 18" to either side of the equipment, and a height of 7' above final grade level.
- f) A clearance of at least 6' shall be provided from machinery or devices having moving parts that are not physically isolated.
- g) Metering equipment shall not be installed in a meter room, closet or any confined space with gas meters or appliances. Outside metering equipment shall not be installed within 3' of gas meters or gas appliances.
- h) If necessary to locate metering equipment adjacent to a driveway, walkway, parking lot or any location that will subject the meter to damage, **special permission** must be obtained from a **qualified employee** who will have the option to require the **Customer** to furnish and install protective barriers. If necessary to place a meter above a walkway, the bottom of the meter socket shall be 6'-6" above the walkway.

CUSTOMER-OWNED METER SOCKET MINIMUM SPACING REQUIREMENTS (OVER/UNDER CONSTRUCTION)

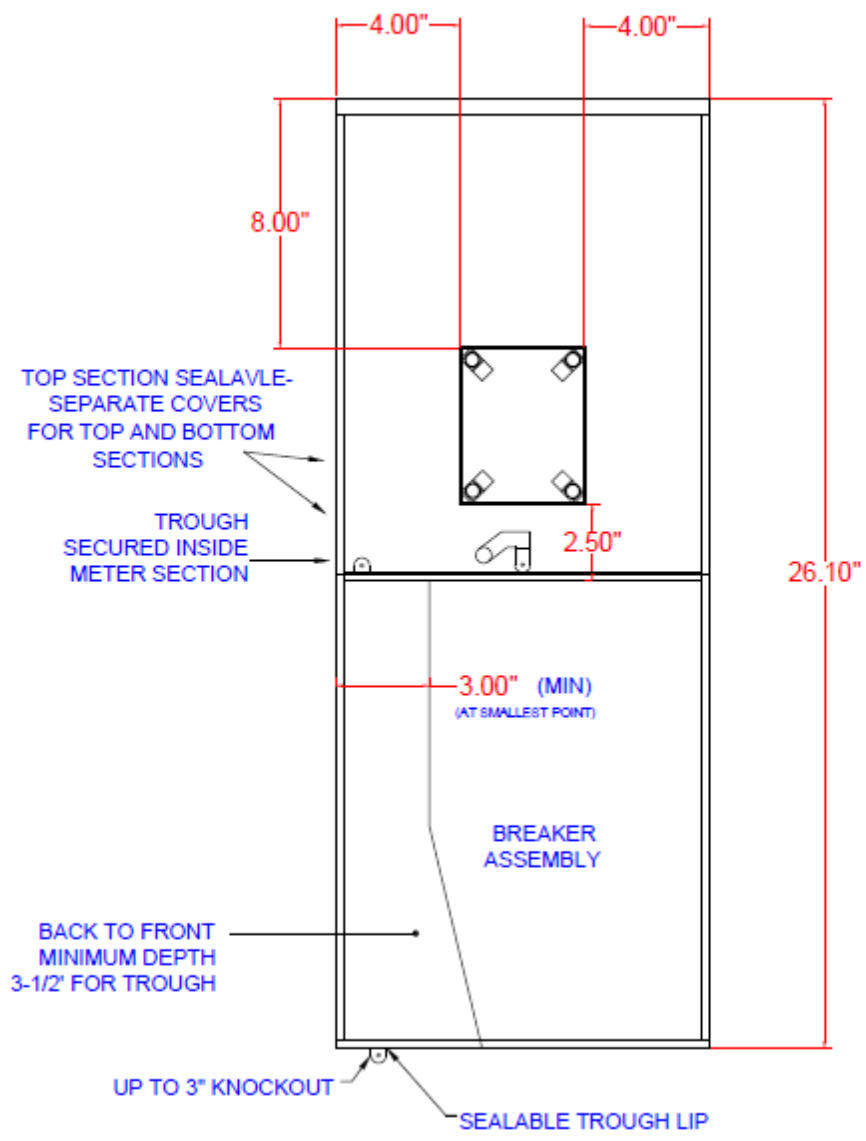


CITY OF COVINGTON  
NEWTON COUNTY, GEORGIA

DATE: JANUARY 1, 2016

© 2016  
CITY OF COVINGTON  
ALL RIGHTS RESERVED

CUSTOMER-OWNED METER SOCKET MINIMUM SPACING REQUIREMENTS (OVER/UNDER CONSTRUCTION)



CITY OF COVINGTON  
NEWTON COUNTY, GEORGIA

DATE: JANUARY 1, 2016

© 2016  
CITY OF COVINGTON  
ALL RIGHTS RESERVED