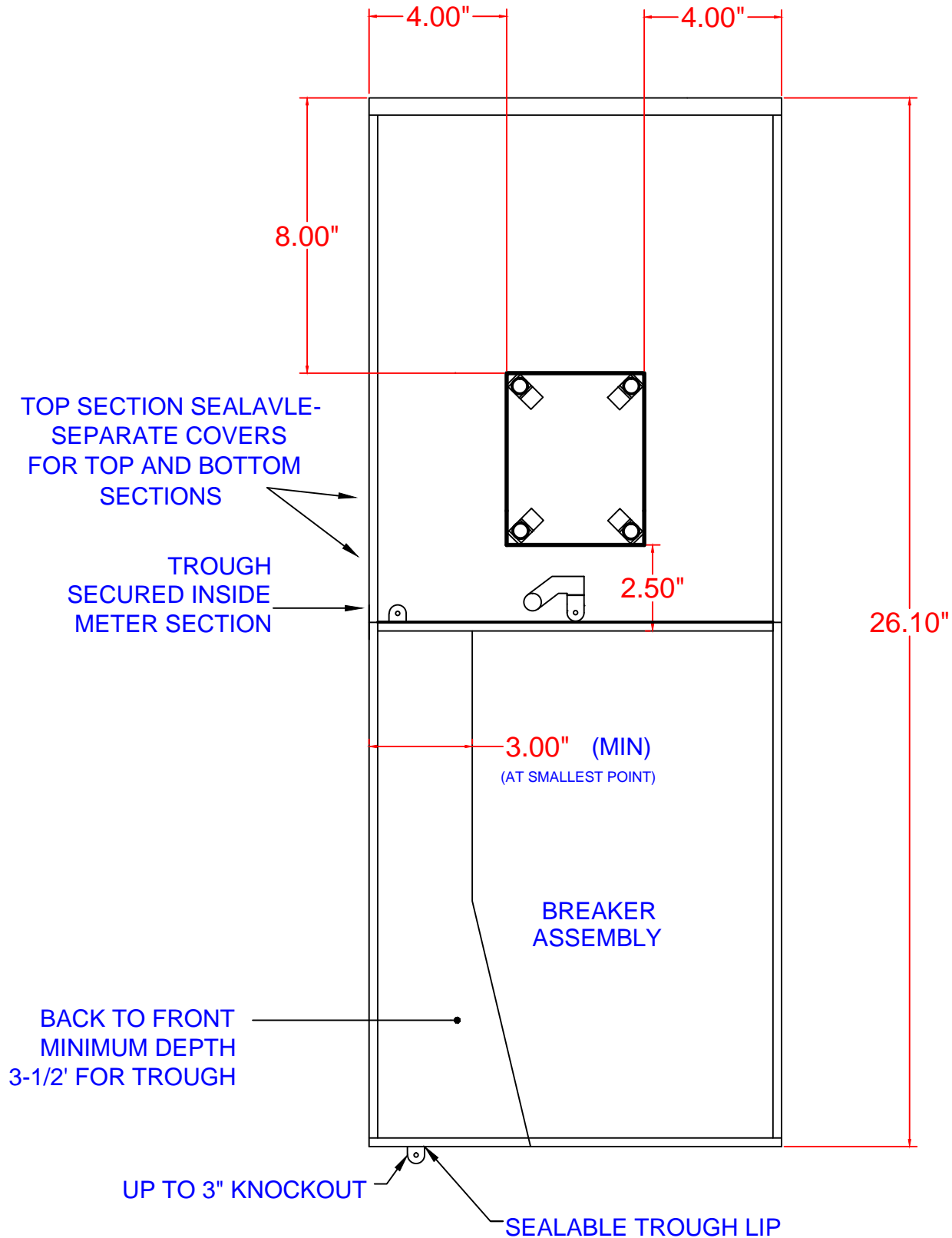


# CUSTOMER-OWNED METER SOCKET MINIMUM SPACING REQUIREMENTS (OVER/UNDER CONSTRUCTION)



CITY OF COVINGTON  
NEWTON COUNTY, GEORGIA

DATE: JANUARY 1, 2016

© 2016  
CITY OF COVINGTON  
ALL RIGHTS RESERVED